

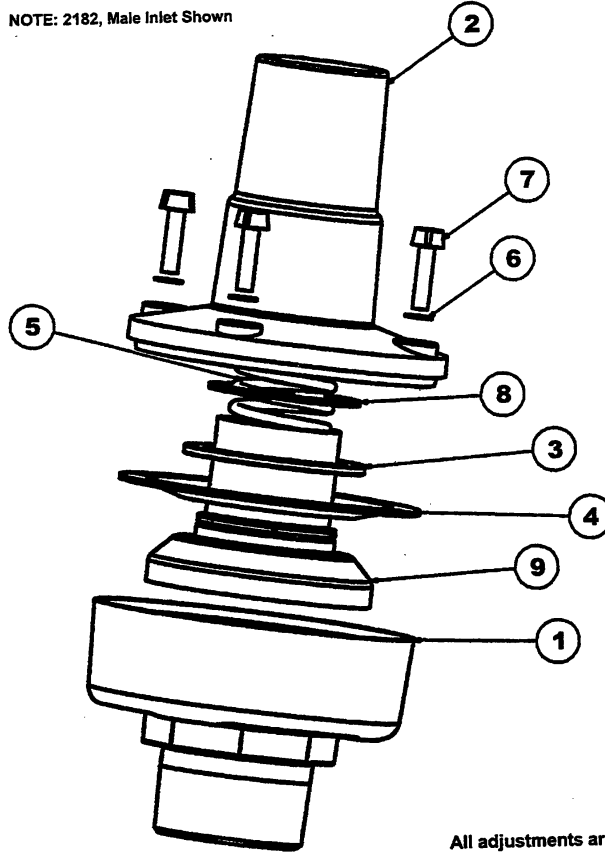
# Western Pacific Products, Inc.

*Anything In Or On Your Tank – Ready to Ship*

*Over 8,000 Part Numbers – Over 26,000 Square Feet of Warehouse – We Ship Worldwide*

**2182 Air Relief Valve**

NOTE: 2182, Male Inlet Shown



All adjustments are factory set and sealed.

ITEM NO.	QTY.	PART DESCRIPTION
1	1	Vent Cowl - Zinc Alloy Casting
2	1	Cap - Aluminum Casting
3	1	Retaining Ring - Galvanized Steel
4	1	Diaphragm - Fiber Reinforced Silicon Sheet
5	1	Spring - Stainless Steel
6	4	Lock Washer - Plated Steel
7	4	Tamper Proof Bolt - Plated Steel
8	1	Snap Ring - Plated Steel
9	1	Valve Assembly - Bronze Valve Casting with Silicon Sealing Face

\* Factory Specifications allow + 3 or - 0 PSI variance from set pressure  
Every valve is 100% tested and inspected for pressure setting,  
blow down and leakage.

**800-677-3711**

**Signal Hill, (L.A.) CA**

(562) 490-0030 • Fax (562) 490-0091

**West Sacramento, CA**

(916) 371-1622 • Fax (916) 371-4792

**Dallas/Fort Worth, TX**

(817) 740-8077 • (817) 740-1332

**Portland, OR**

(503) 221-0335 • Fax (503) 221-0911

[www.tankparts.com](http://www.tankparts.com)

3-45

# Western Pacific Products, Inc.

*Anything In Or On Your Tank – Ready to Ship*

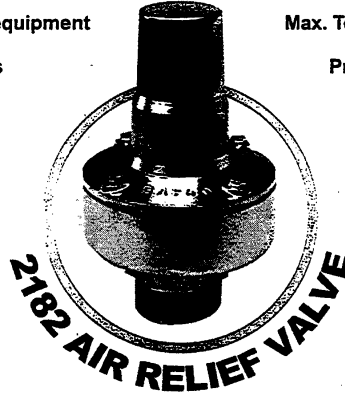
*Over 8,000 Part Numbers – Over 26,000 Square Feet of Warehouse – We Ship Worldwide*

**Applications:**

- Bulk hauling trailers/equipment
- High capacity blowers
- Light gauge tanks

**Specifications:**

- Max. Temperature Range: 400°F
- Pressure Range: 14-28 PSI
- Valve Weight: 7 lbs.

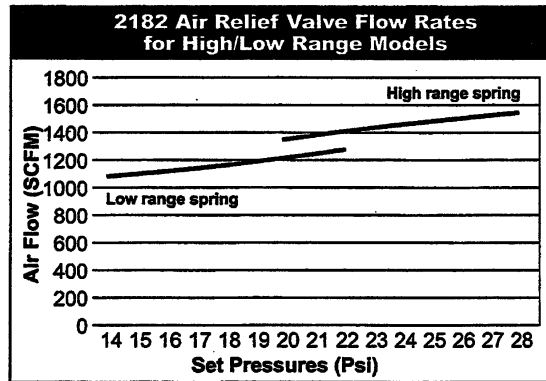


Valve Seats: Silicon bonded

Reset Rate: approx. 80% of set pressure

**Capacities: SCFM Air @ 60°F**

PSI	SCFM	PSI	SCFM
14	1075	20	1336
15	1089	21	1379
16	1106	22	1420
17	1126	23	1458
18	1148	24	1494
19	1173	25	1527
20	1201	26	1559
21	1231	27	1588
22	1265	28	1615



Venting capacity has been independently tested and verified by The National Board of Boiler and Pressure Vessel Inspectors.

**800-677-3711**

**Signal Hill, (L.A.) CA**

(562) 490-0030 • Fax (562) 490-0091

**West Sacramento, CA**

(916) 371-1622 • Fax (916) 371-4792

**Dallas/Fort Worth, TX**

(817) 740-8077 • (817) 740-1332

**Portland, OR**

(503) 221-0335 • Fax (503) 221-0911

[www.tankparts.com](http://www.tankparts.com)

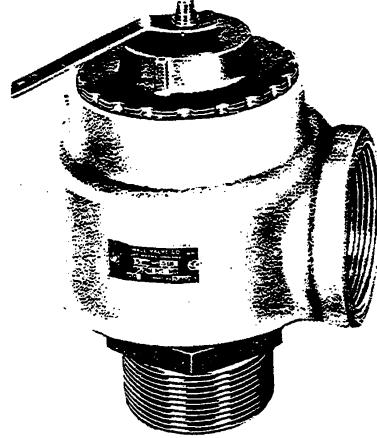
# Western Pacific Products, Inc.

*Anything In Or On Your Tank – Ready to Ship*

*Over 8,000 Part Numbers – Over 26,000 Square Feet of Warehouse – We Ship Worldwide*

---

## **KUNKLE®**



### **APPLICATIONS**

- Protection of low to medium pressure high volume blowers, compressors and pneumatic conveying systems.
- Bulk hauling trailers/equipment.
- Light gauge tanks.
- Protection of high volume vacuum pumps and conveying systems.

**PART # 337**

### **FEATURES**

High capacity full nozzle design. Bronze nozzle, disc and guide with cast iron housing. Flat bronze valve seats are lapped for optimum performance. Worn ring offers easy adjustability for precise opening with minimum preopen or simmer and exact blowdown control. Pivot between disc and spring corrects mis-alignment and compensates for spring side thrust. Model 337 has reversible lift lever for "pull-up" or "pull-down" manual testing. Every valve 100% tested/inspected for pressure setting, blowdown and leakage. All adjustments are factory sealed to prevent tampering or dis-assembly.

\*\* Factory specifications allow + or - 3 psi variance from set pressure\*\*

**15 PSI - 18 PSI - 20 PSI - 25 PSI in stock**

---

**800-677-3711**

**Signal Hill, (L.A.) CA**

(562) 490-0030 • Fax (562) 490-0091

**West Sacramento, CA**

(916) 371-1622 • Fax (916) 371-4792

**Dallas/Fort Worth, TX**

(817) 740-8077 • (817) 740-1332

**Portland, OR**

(503) 221-0335 • Fax (503) 221-0911

[www.tankparts.com](http://www.tankparts.com)

**3-47**

# Western Pacific Products, Inc.

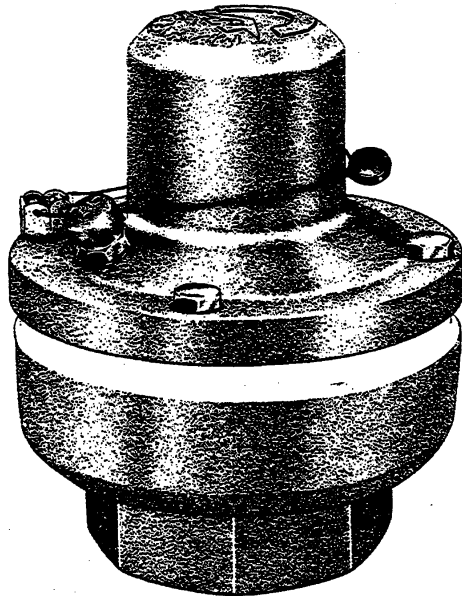
*Anything In Or On Your Tank – Ready to Ship*

*Over 8,000 Part Numbers – Over 26,000 Square Feet of Warehouse – We Ship Worldwide*

## RELIEF VALVE P-612A

### ALUMINUM

Bulk Tank Trucks • Pneumatic Conveyor Systems  
Railroad Dry Bulk Tanks  
NPT Threaded Inlet



(PATENTED)

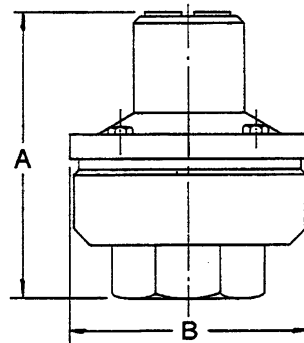
#### NEW IMPROVED DESIGN

The new seat design offers increased capacity and improved blowdown (reseating).

#### TAMPERPROOF

Tank trailer drives cannot alter the pressure setting in the field to speed up delivery. A wire seal assures the pressure setting.) Aluminum body plus stainless steel seating provide both lightweight construction and corrosion resistance. Inlet is 2" FNPT.

Temperature Range (-20°F to 400°F). This valve has a VITON diaphragm and stainless steel disc.



DIMENSIONS-INCHES

SIZE	A	B
2	5½	4⅝

AVAILABLE IN 15, 18 PSI

**800-677-3711**

**Signal Hill, (L.A.) CA**

(562) 490-0030 • Fax (562) 490-0091

**West Sacramento, CA**

(916) 371-1622 • Fax (916) 371-4792

**Dallas/Fort Worth, TX**

(817) 740-8077 • (817) 740-1332

**Portland, OR**

(503) 221-0335 • Fax (503) 221-0911

[www.tankparts.com](http://www.tankparts.com)

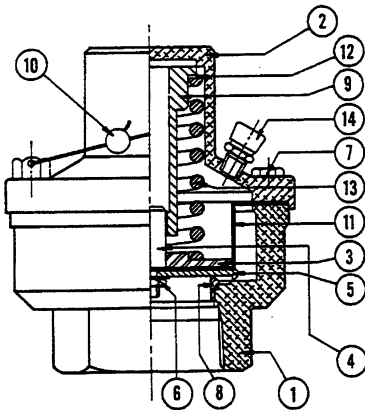
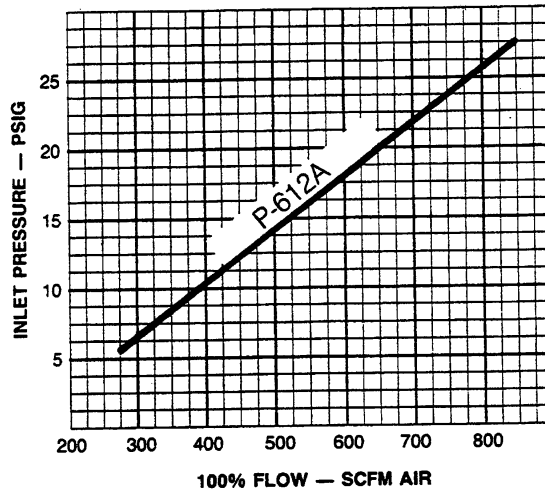
3-48

# Western Pacific Products, Inc.

*Anything In Or On Your Tank – Ready to Ship*

*Over 8,000 Part Numbers – Over 26,000 Square Feet of Warehouse – We Ship Worldwide*

## RELIEF VALVE P-612A, P-613A REPAIR PARTS LIST



NO.	DESCRIPTION	MATERIAL	PART NO.
1	Body	Cast Alum-356-T6	1635-J
2	Cap	Cast Alum-356-T6	40282-J
3	Guide Disc	Rod Alum-6262-T9	38241-J
4	Guide Stem	St. Steel-303	3789-J1
5	Valve Disc	St. Steel-316	38281-J
6	Disc Nut	St. Steel-8/18	3164-D
7	Cap Screw	St. Steel-8/18	4288-D
8	Seat Ring	St. Steel-304	51191-J
9	Guide Post	Phenolic	3790-J
10	Seal Wire	Stl. Wire-Cad. Plated	7967-J
11	Diaphragm	Viton-A	5323-J
12	Washer	St. Steel-304	38242-J
13	Spring	Stainless Steel Wire	70193-15
14	Air Vent	Stainless Steel	7932-J

**800-677-3711**

**Signal Hill, (L.A.) CA**

(562) 490-0030 • Fax (562) 490-0091

**West Sacramento, CA**

(916) 371-1622 • Fax (916) 371-4792

**Dallas/Fort Worth, TX**

(817) 740-8077 • (817) 740-1332

**Portland, OR**

(503) 221-0335 • Fax (503) 221-0911

[www.tankparts.com](http://www.tankparts.com)

# Western Pacific Products, Inc.

*Anything In Or On Your Tank – Ready to Ship*

*Over 8,000 Part Numbers – Over 26,000 Square Feet of Warehouse – We Ship Worldwide*



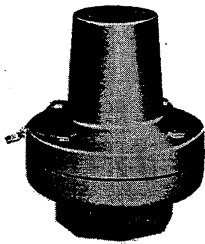
**BAY BRONZE INDUSTRIES**  
A Division of Dertan Manufacturing Inc.

- Custom Casting - Brass, Bronze, Copper, Aluminum
- Permanent Mold & Diecasting
- Machining - CNC Equipment
- Fuel Dispensing Products
- Quick Couplers
- Transformer & Swivelgear Parts
- Golf Course Accessories
- Pole Line Hardware
- Plumbing Products
- Baywall Coat & Hat Racks
- Plaques & Sign Letters
- Memorial Bronze

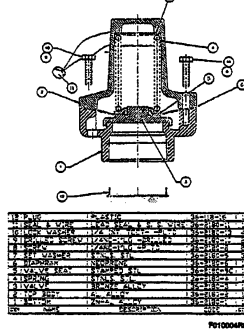
## BAYCO AIR & VACUUM RELIEF VALVES

- For protection of pneumatic & bulk transfer systems from pressure or vacuum build up.
- Heavy duty design for dependable performance.
- From 1½" to 3" sizes with "adjustable" models.
- Settings to customer requirements  
Standard Setting: Air - 15 to 18 pounds  
Vacuum - 14 to 18 inches Hg.
- Sealed, tamper resistant construction.

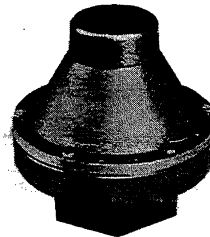
**2" Air Relief Valve  
(Standard Design)**



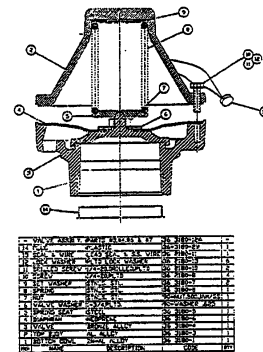
**BAYCO  
Model #2180**



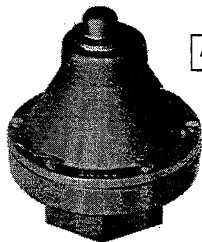
**3" Air Relief Valve  
(Standard Design)**



**BAYCO  
Model #3180**

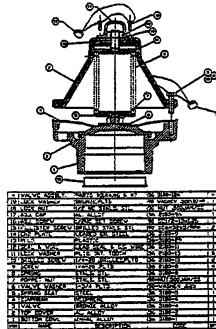


**3" Air Relief Valve  
with Adjustable Setting**



NOTE:  
ADJUSTABLE  
MODEL

**BAYCO  
Model #3180ADJ**

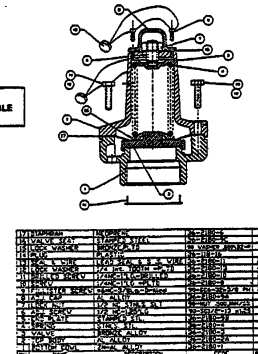


**2" Air Relief Valve  
with Adjustable Setting**



NOTE:  
ADJUSTABLE  
MODEL

**BAYCO  
Model #2180ADJ**



**800-677-3711**

**Signal Hill, (L.A.) CA**

(562) 490-0030 • Fax (562) 490-0091

**West Sacramento, CA**

(916) 371-1622 • Fax (916) 371-4792

**Dallas/Fort Worth, TX**

(817) 740-8077 • (817) 740-1332

**Portland, OR**

(503) 221-0335 • Fax (503) 221-0911

[www.tankparts.com](http://www.tankparts.com)

3-50